



MS-EV 50/400
ELECTRIC LPG VAPORIZER
Instruction Manual

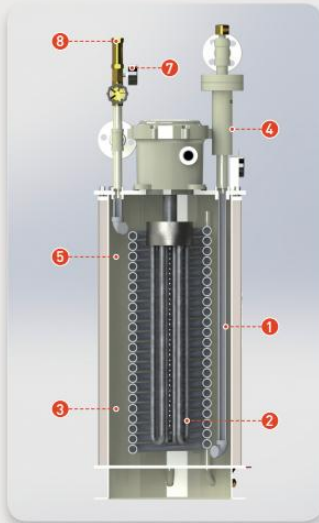


ELECTRIC LPG VAPORIZER

01. Structure

◆ Dimension(mm)

Capacity	A	B	C	D	E	F	H	Volume(Liter)
50Kg	702	436	410	450	852	1106	1132	50
100Kg	801	436	410	450	951	1196	1233	60
150Kg	921	436	410	450	1071	1316	1397	70
200Kg	921	576	560	600	1071	1316	1397	120
300Kg	1041	576	560	600	1191	1436	1474	150
400Kg	1041	576	560	600	1191	1436	1474	150



PART LIST

NO.	PART NAME	MAT'L
1	Water Tank Install	SS400
2	Heater & Box Install	AC2A
3	Coil & Cover Install	STPG 370
4	Liquid Trap Install	A106-B
5	Insulator Install	Artilon
6	Marking Ass'y	Sticker
7	Pressure Gauge	PVC + BC
8	Safety Valve	C3604B
9	Water drain valve	BC
10	Over -Water, Over -Flowing	BC
11	HEX Bolt & Washer	S45C
12	I-Bolt	S45C

02. Specifications

Model	Capacity (kg/hr)	LPG Liquid Inlet Size	LPG Vapor Outlet Size	Heater Capacity (KW)	Empty Weight (kg)	Water Capacity (Liter)	Pressure Safety Valve Size
MS-EV50	50	3/4"	1"	7.5	65	50	3/4"
MS-EV100	100	3/4"	1"	15	85	60	3/4"
MS-EV150	150	3/4"	1"	22.5	125	70	3/4"
MS-EV200	200	3/4"	1"	30	150	120	3/4"
MS-EV300	300	3/4"	1"	45	185	150	3/4"
MS-EV400	400	3/4"	1"	60	300	150	3/4"